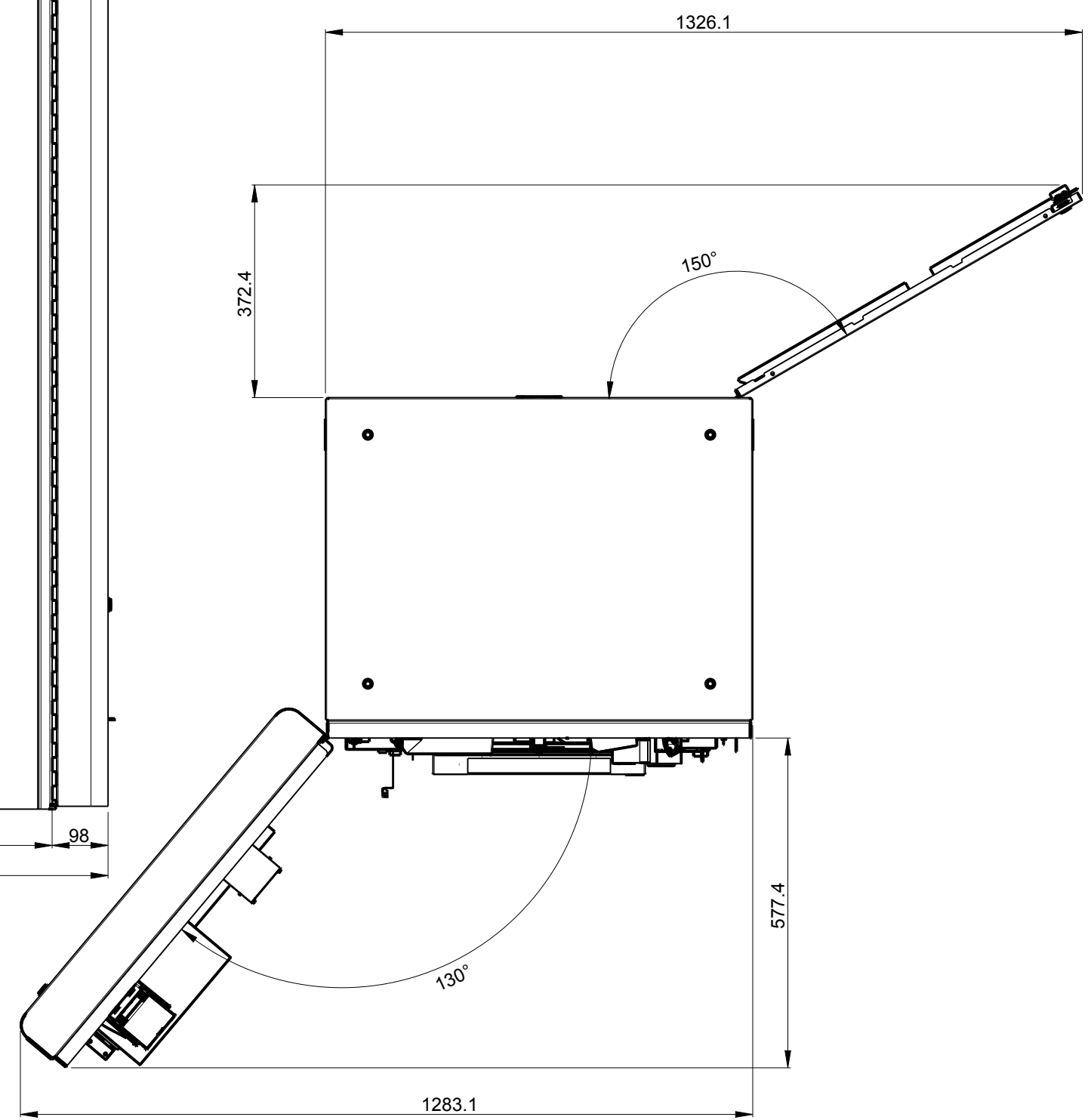
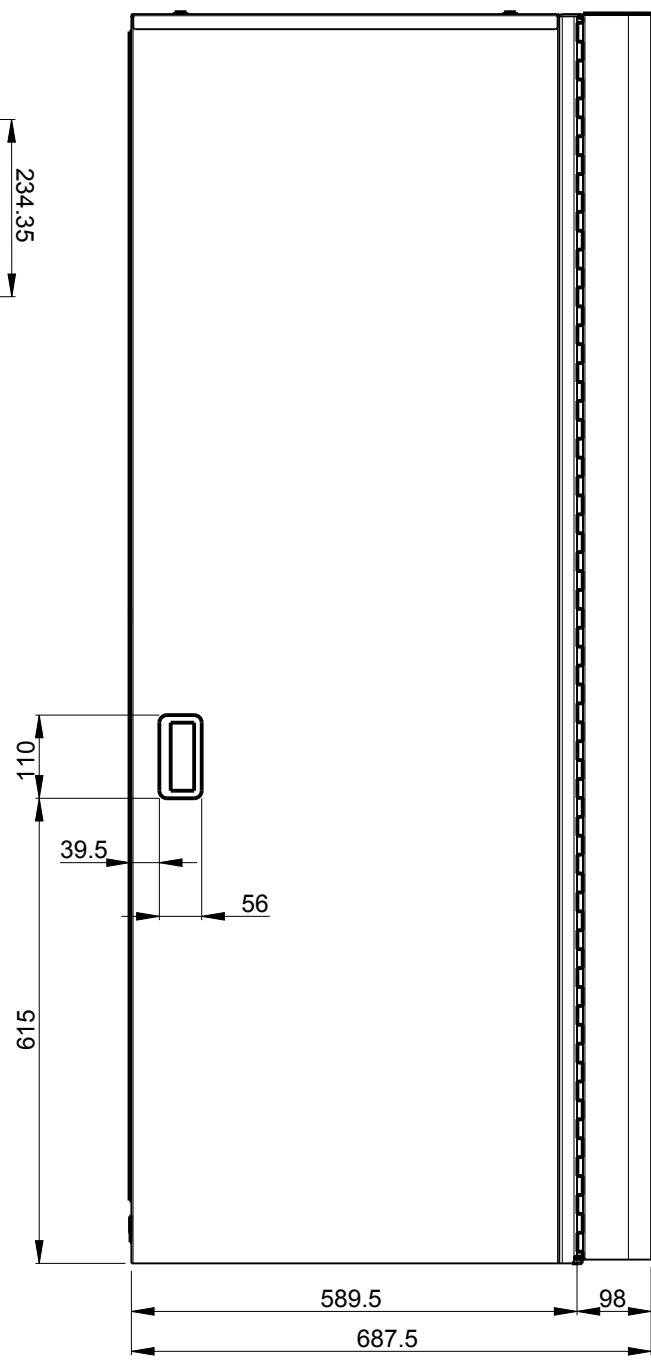
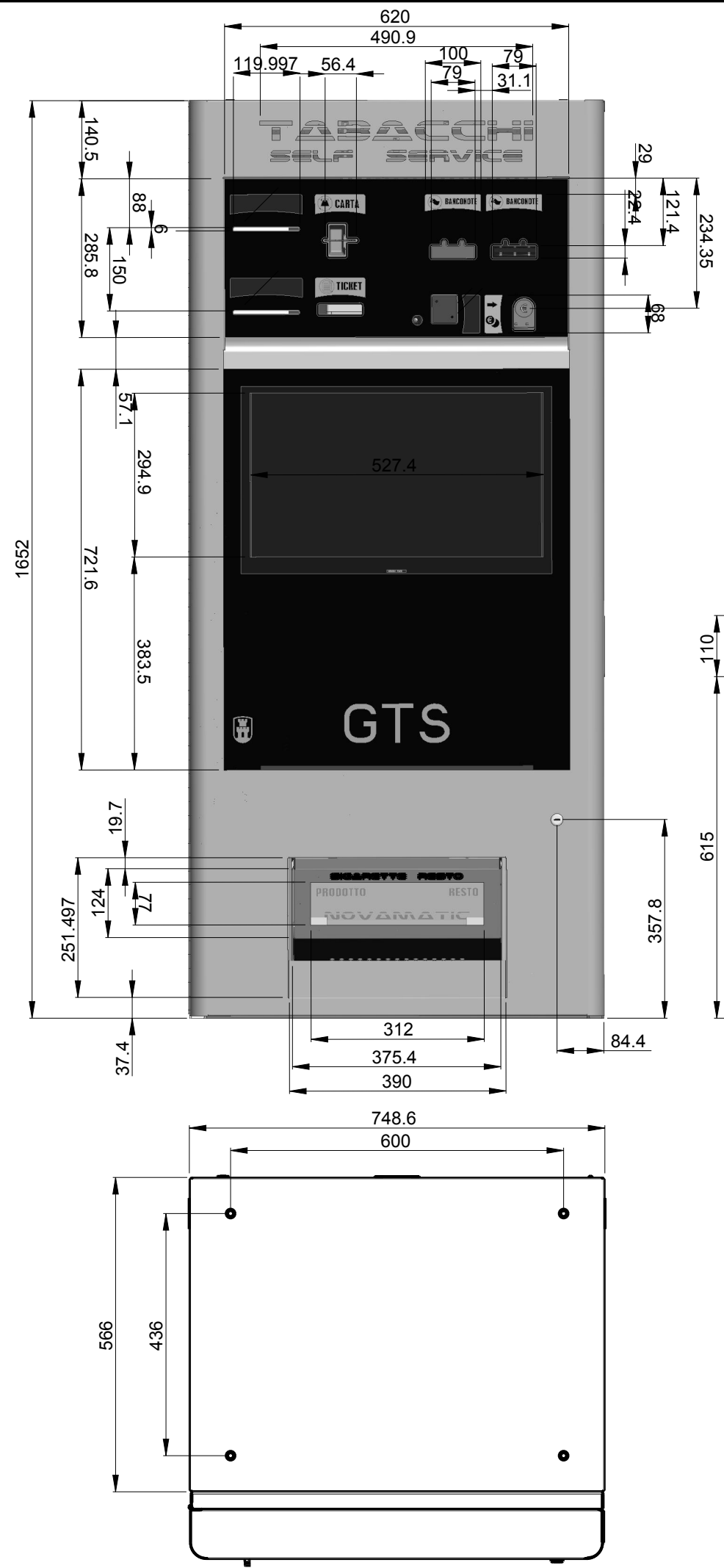


SHEET N°	DATE	DESCRIPTION	SIGNATURE
	22-9-15		A.M.FDEZ.



AR-00322-00_NEW_BAST_GIRAT								
REFERENCE	REV	SURFACE FINISH		TEXTURE				
REFERENCE: GTS60_CPT -		TITLE :						
Material:		Thickness: -	Scale: 1:10	Sheet: 1 / 1		Creo	AZK	Weight: g
DEFAULT TOLERANCES		Date		Signature				
General: ± 0.2		22-9-15		A.M.FDEZ.				
Between axis: ±0.05		22-9-15		A.M.FDEZ.				
Angles: ±0.5° Holes/Shafts:±0.05		Checked:						

